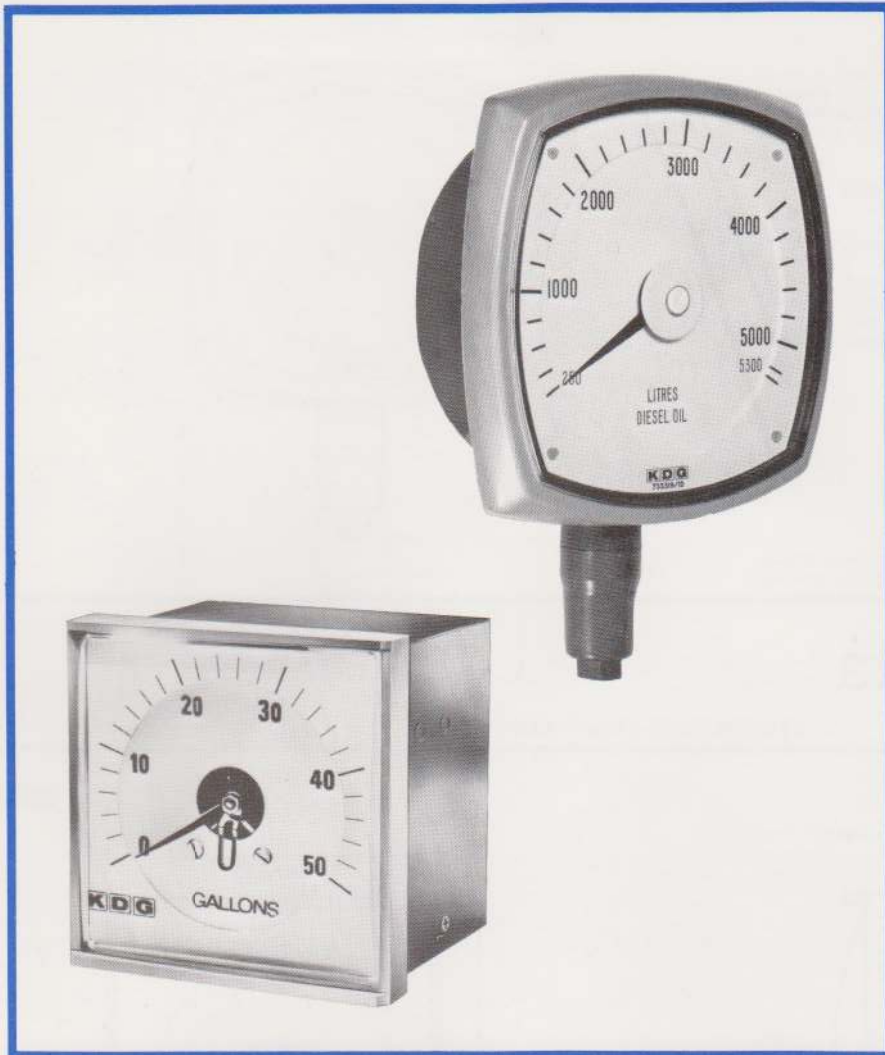




KDG Instruments Limited



4/9 Apollo Street
Warriewood, NSW, 2102
Australia
Ph: 61-2-80057100
www.SensMar.com.au
info@SensMar.com.au



SERIES
8200 and 8240
Electrical
Indicators

Models:
8200 General purpose
8240 DIN style

FEATURES

- Accuracy $\pm 1.0\%$
- Weatherproof to IP54
- Clear, easy to read scales
- Calibrated to suit your installation
- Intrinsically safe versions available
- Classification societies approved:
Lloyds Register of Shipping
Det Norske Veritas

Description

These indicators, together with a KDG integrated electronic level transmitter and a power supply unit, form a complete system for accurate tank contents or liquid level measurement.

Heavy duty taut band meters are available to order, in DIN standard cases.

The 8240 may be used as the primary indicator, or alternatively as repeater units at remote stations or fill-points, etc. Its external dimensions comply with DIN 43700 standard making it ideal where panel accommodation is limited. If required the indicator may be wall mounted with mounting lugs supplied. The

electrical connection to the 8240 is by jack-socket in the base of the enclosure. A second socket is provided so that further indicator or relay units may be inserted into the signal line.

Meter movements are available as 0 to 1mA or 4 to 20mA to be compatible with the KDG 8000 or 8700 series of electronic level transmitters. Pointer deflection is 240° giving a scale length of 145mm for 8240 and 286mm for 8200.

The scales of these indicators may be graduated in any units of volume, weight or depth with wording to suit your requirements.

Operational data (reference conditions)

Current ranges:

0 to 1mA.
4 to 20mA.

Pointer deflection:

240°.

Zero adjustment:

Mechanical, on front window (8200).

Scale length:

286 mm (8200).
145mm (8240).

Input resistance:

136 ohms \pm 10% (8200).
415 ohms \pm 10% (8240).

Weatherproof protection:

BS2817.

Operating temperature:

- 10 to +60°C (8200).
0 to 50°C (8240).

Humidity:

5 to 95% RH (8200).

Performance data

Accuracy:

Max. error $< \pm 1.0\%$ of calibrated span including effects of linearity and hysteresis.

Ambient temperature effects:

Temperature coefficient $< 0.06\%$ per degree C (8200).

Temperature coefficient $< 0.01\%$ per degree C (8240).

Approvals

Intrinsically safe to SFA 3012 Ex 1a IIc T6 (8200).

Lloyds Certificate No. 619 and Det Norske Veritas Cert. No. A-1590 (9200).

Mounting position effect:

$< 1.0\%$ for a 45° change from vertical (8200).

8240 to be mounted vertically.

Construction data

Materials:

8200 case — polyester.
Bezel and window — polycarbonate.
8240 case — mild steel.
Front bezel and back panel — ABS.
Window — acrylic.

Weight:

8200 — 1.1kg.
8240 — 0.5kg.

Standard accessories:

8200 — Surface mounting brackets or panel mounting lugs.
8240 — DIN panel clamps or wall mounting lugs. Two jack plugs (3.5mm).

Calibration:

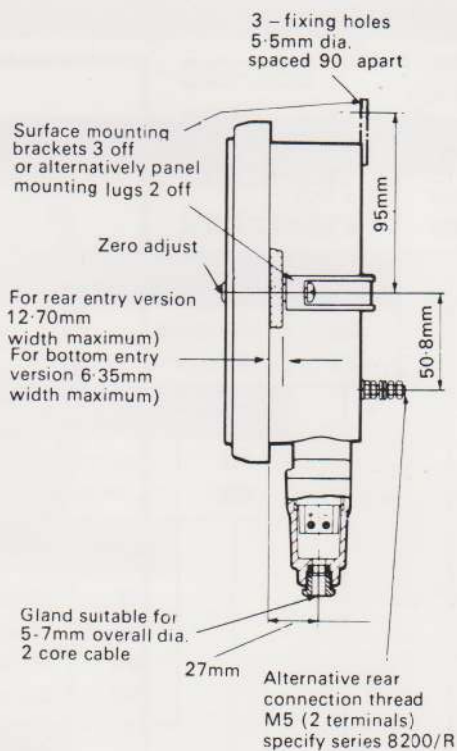
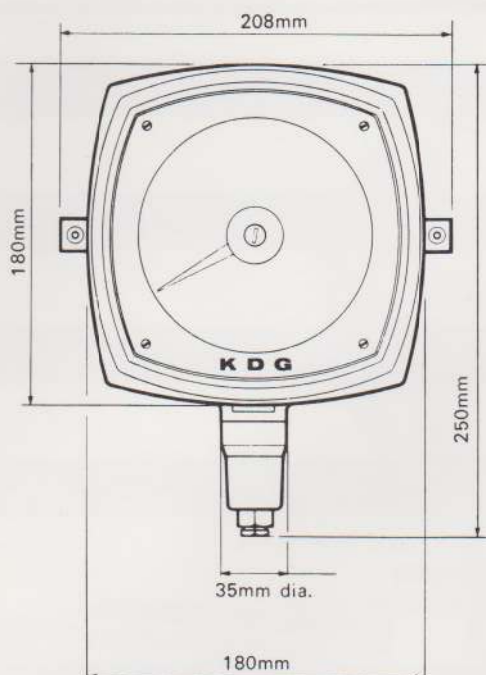
As standard, instruments are calibrated to customers specified span at ambient temperature.

Electrical connections (8200):

Terminal block with cable gland or two M5 studs as ordered.

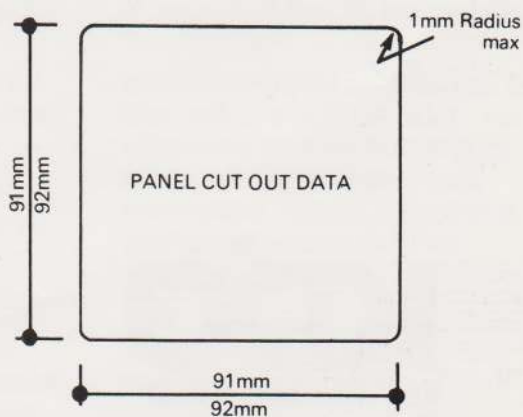
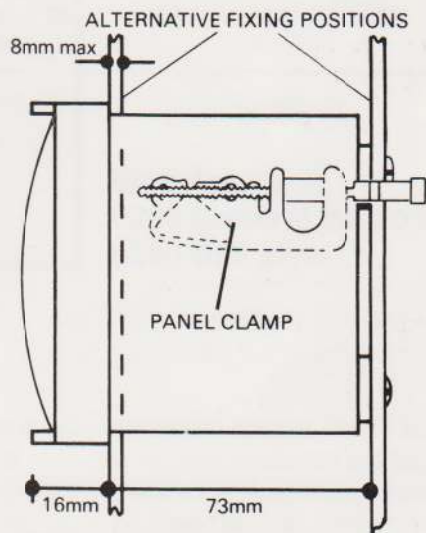
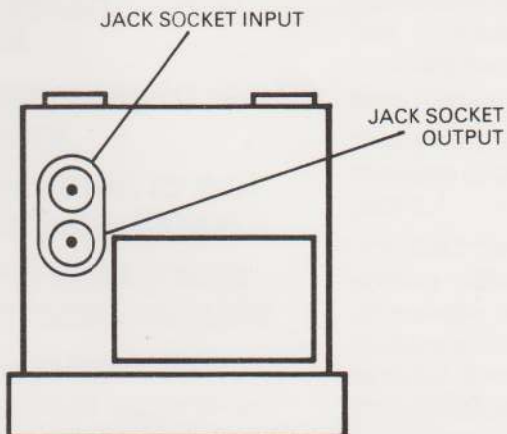
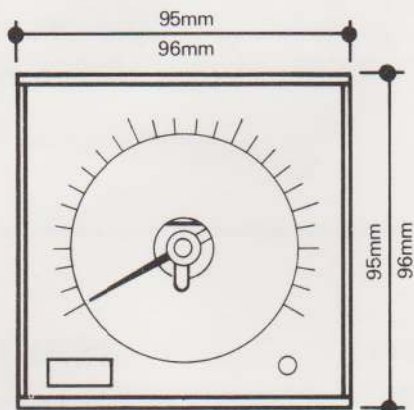
Outline/Installation dimensions

8200



MAX. PANEL THICKNESS 7mm

8240



MAX. PANEL THICKNESS 8mm

Ordering Information

Model	Electrical indicators 0 to 1mA and 4 to 20mA					
8200	General purpose					
8240	DIN style					
Code	Sensitivity					
010	0 to 1mA					
420	4 to 20mA					
Code	Electrical connection					
CG	Cable gland					
RT	Tear terminals (M5 studs)					
Code	Mounting					
PM	Panel mounting					
SM	Surface/wall mounting					
Code	Approvals					
IS	Intrinsically safe SFA3012 Ex ia IIC T6 (8200 only)					
LR	Lloyds Register Cert. 619 (8200)					
DN	Det Norske Veritas Cert. No. A-1590 (8200)					
NC	Not certified.					
Scale graduation, marking and units						
State in words, your requirements, in full						
8200	420	CG	PM	IS	Scale 0 to 5000, graduated every 200, with figures at each 1000 mark. Units are litres fuel oil.	Typical ordering information

The Company reserves the right to modify this design without notification.



KDG Instruments Limited
 Crompton Way Crawley
 West Sussex RH10 2YZ
 Telephone: 0293 25151 Telex: 87235



4/9 Apollo Street
 Warriewood, NSW, 2102
 Australia
 Ph: 61-2-80057100
www.SensMar.com.au
info@SensMar.com.au